



ECOWATER OF ATLANTA
TASTE THE DIFFERENCE

Let us

Perfect

your water and

Maximize

your peace of mind.

ESD2752

ECOWATER 2700 SERIES WATER SOFTENERS

The Latest Technology for Water Treatment

- 1 Patented Electronics Digital Demand Module**
Sophisticated, yet easy-to-use electronics capture historical usage patterns to predict future needs for precise regenerations.

Time Keeper

Permanent program memory with capacitor-backed time retention. Maintains time for at least 6 hours in case of power loss.

- 2 Multi-Wrap Fiberglass Reinforced Resin Tank**
Durable fiberglass-wrapped tank liner, doesn't deteriorate, rust, or corrode.

- 3 Self-Cleaning Distributors**
High-flow distributors are cleaned automatically by use of counter-current water pressure to prevent clogging.

- 4 Brine Valve**
Controls water flow in and out of salt tank. Features automatic shut-off to prevent overfilling.

Bypass Valve (optional)

Brass-free and lead-free bypass valve lets you manually bypass the system.

Energy Efficient Power Supply

Simplifies installation, maintenance and reduces electrical hazards.

Barium and Radium Reduction, and Low Lead Content

This softener has been tested and certified by NSF International against NSF/ANSI Standard 44 for the reduction of Barium and Radium 226/228, hardness reduction and efficiency and NSF/ANSI 372 for low lead content.

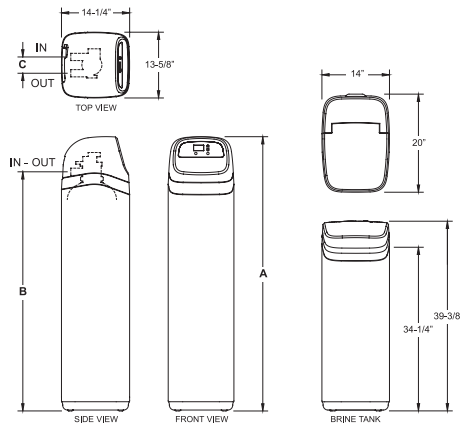


Designed, Engineered &
Assembled in the U.S.A.

ESD2752

ECOWATER 2700 SERIES WATER SOFTENERS

DIMENSIONS



	ESD2752 R30	ESD2752 R39
Nominal Resin Tank Size	9" Diam. x 35"	10" Diam. x 47"
A	45"	57"
B	38"	49 7/8"
C	3 3/8"	3 3/4"

SPECIFICATIONS

	ESD2752R30	ESD2752R39
Efficiency (gr./lb. @ min. lb. salt dose)	4,570 @ 2.9	5,000 @ 2.4
Hardness Capacity (gr. @ max. lb. salt dose)	30,000 @ 13.1	40,200 @ 15.4
Certified Flow Rate (gpm @ psi)	7.0 @ 11.9	7 @ 6.2
Intermittent Flow Rate (gpm @ psi) ¹	8.0 @ 15	12.5 @ 15
Intermittent Flow Rate (gpm @ psi) ¹	11.1 @ 30	19.1 @ 30
Amount of Resin (lbs.)	43	59
Maximum Recommended Water Hardness (gpg @ 500 gpd water usage)	60	80
Maximum Clear Water Iron (ppm-Fe) ²	8	11
Approximate Water Used Each Regeneration (gal.) ³	31	36
Salt Storage Capacity (lbs.)	300	300
Supply Water Pressure Limits (psi) ⁴	20-125	20-125
Supply Water Temperature Limits (°F/C°)	40-120/4-49	40-120/4-49
Ambient Temperature Range (°F/C°)	35-150/2-66	35-150/2-66
Plumbing Connection Provided (inches)	3/4 and 1	1
Electrical Requirement, 120V, 50/60Hz, (24V DC, 500 mA, power supply included)		

¹Intermittent flow rate does not represent the maximum service flow rate used for determining the softener's rated capacity and efficiency. Continuous operation at flow rates greater than the certified flow rate may affect capacity and efficiency performance. The validity of these flow rates is verified by NSF. ²Increased amounts of clear water iron can reduce softeners efficiency. Refer to owner's manual for details. Wisconsin requires additional treatment if water supply contains greater than 5 pm clear water iron. ³When operated at 35 psi water pressure. ⁴Maximum pressure for Canadian use is 7.0 Kg/cm².

WARRANTY

- For the lifetime of the original owner, the mineral tank will not rust, corrode, leak, burst, or in any other manner fail to perform its proper function.
- For a period of ten years, the salt tank will be free of defects in materials and workmanship and will perform its proper function.
- For a period of three years, the valve body, electronic faceplate and all other parts will be free of defects in materials and workmanship and will perform their normal functions.



ECOWATER OF ATLANTA
TASTE THE DIFFERENCE

(678) 456-8346
5490 McGinnis Village Pl. | Suite 228 | Alpharetta, GA 30005
www.ecowaterofatlanta.com